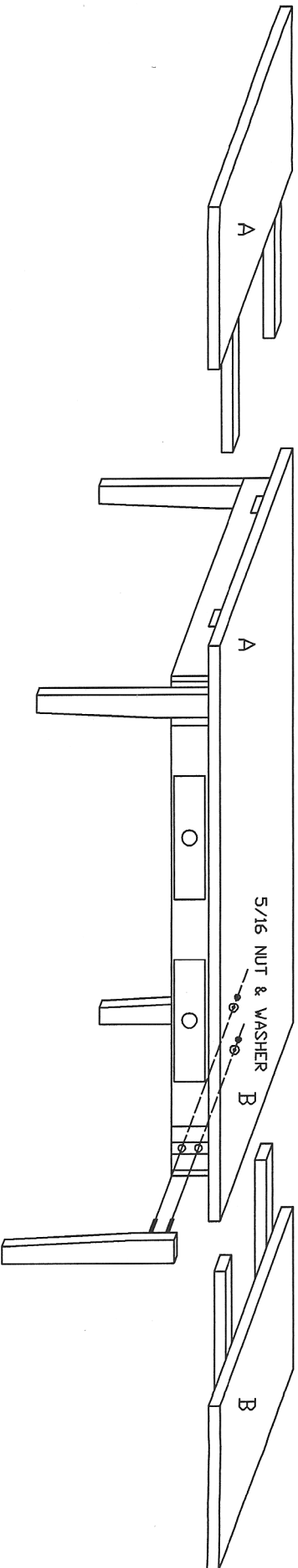


# TRIE NORTH FURNITURE CO

## HARVEST TABLE ASSEMBLY



3 STYLES OF LEGS FOR HARVEST TABLES  
REGULAR TAPERED  
SMALL TURNED  
MEGA

LEAVES MUST BE INSTALLED ON MATCHING ENDS  
WITH THE LETTERS A & B MARKED UNDERNEATH  
EACH LEAF AND ENDS OF THE TABLE

### HARDWARE:

- ⊙ 5/16 WASHER × 8
- ⊙ 5/16 NUT × 8

### TOOLS:

- 1/2 WRENCH